

Name: Reno Savoya

Date: 06/04/2019

Event: French Nats rd2



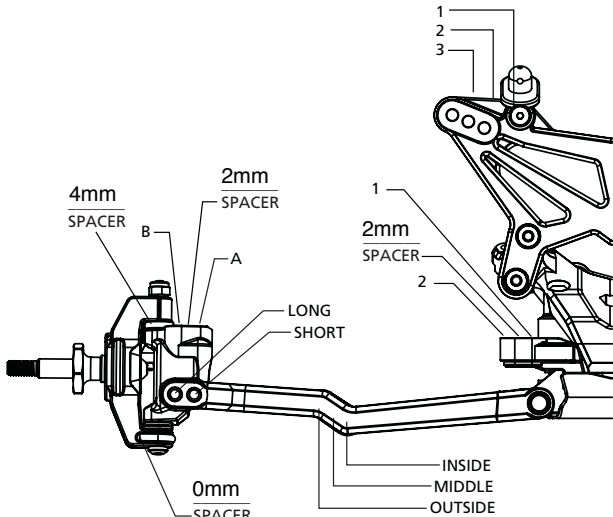
City: Lyon State: France

Track: RACG Grenoble WET

Track Indoor Tight Smooth Hard Packed Blue Groove Wet Grass Low Bite High Bite
 Conditions Outdoor Open Rough Loose/Loamy Dry Dusty Astro Turf Med Bite Other

Front Suspension

Toe: +/- 0 deg
 Ride Height: 22 mm Camber: -1 degree
 Caster: 0° 5°
 Kick Angle: 20° 25° 30°
 VLA Setting: Short Arm Long Arm
 Front Pivot: Alum Plastic HRC Alum HRC
 Kick Shim: Brass Plastic
 Oil: TLR 37.5wt
 Piston: 2 x 1.7
 Spring: Standard Low Freq. Color: AE Red (91835)
 Sway Bar: 0.8mm 1.0mm 1.2mm SCT front kit
 Shock Limiters: 1mm Stroke: 28mm
 Shock Locations: 1 - Inside
 Spindle Ball Stud: Standard Low Mount
 Bump Steer Spacers: 0mm
 Ackerman Ball Stud: Standard Low Mount
 Ackerman Spacers: 0mm
 Ackerman Arm: #1 #2 #3 #6 from 22 5.0
 Trail: 2mm 3mm 4mm
 Camber Link: 1 - A



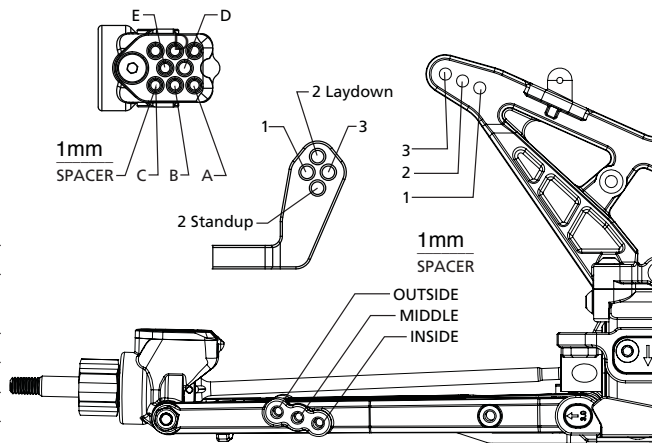
Notes: Raise rear tower 1mm, SCT front camber block,

22 5.0 steering and knuckles

Use set screw to limit steering throw, 1mm measurement

Rear Suspension

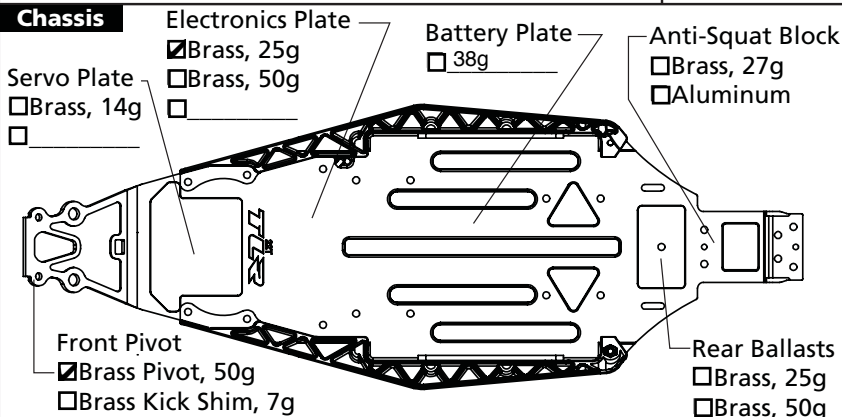
Configuration: Laydown Standup
 LD Diff. Height: Standard +3.5mm
 Transmission Type: 3-Gear 4-Gear
 Toe Inserts: 0.5 1 1.5 2 2.5 3 3.5 4
 Anti-Squat Inserts: 0 0.5 1 1.5 2 2.5 3
 Inner Roll Center: LRC HRC
 Ride Height: 22 mm Camber: -1.5 degree
 Rear Hub Spacing: Middle
 Rear Axle Height: Standard +3mm
 Hex Width: 22SCT STD (stock)
 Sway Bar: 1.0mm 1.2mm 1.4mm
 Oil: TLR 32.5wt
 Piston: 2 x 1.7
 Spring: Standard Low Freq. Color: AE Yellow (91841)
 Shock Limiters: 0mm Stroke: 36mm
 Shock Locations: 3 - Middle
 Shock Mounting: Front Rear
 Inner Link Spacer: -1mm 0mm +1mm
 Camber Link: 2 - E
 Battery Position: Middle
 Diff Type: Ball Gear Setting: 1 rotation
 Driveshaft Length: CVA Universal Length: 94mm



Electronics

Radio: Spektrum
 Servo: Highest DLP 750
 ESC: RC Concept EC10R
 Initial Brake: Drag
 Drag Brake: 10
 Throttle Profile: line
 Timing Advance: 0
 Throttle/Brake Expo: None
 Servo Expo: -10/-10 Speed
 Throttle/Brake EPA: 82/60
 Motor: RC Concept EC10R 5.5T
 Pinion: 18 Spur: 82
 Battery: RC Concept Omega 4500

Chassis



Tires

	Front	Rear
Tire:	JC Swaggers	JC Pin Downs
Compound:	Pink	Pink
Insert:	Stock	Stock
Additive:		

Notes: Battery taped in